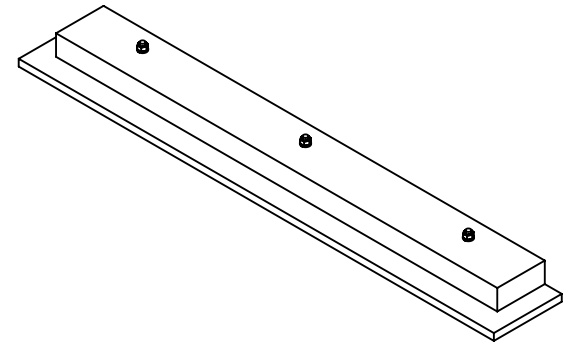
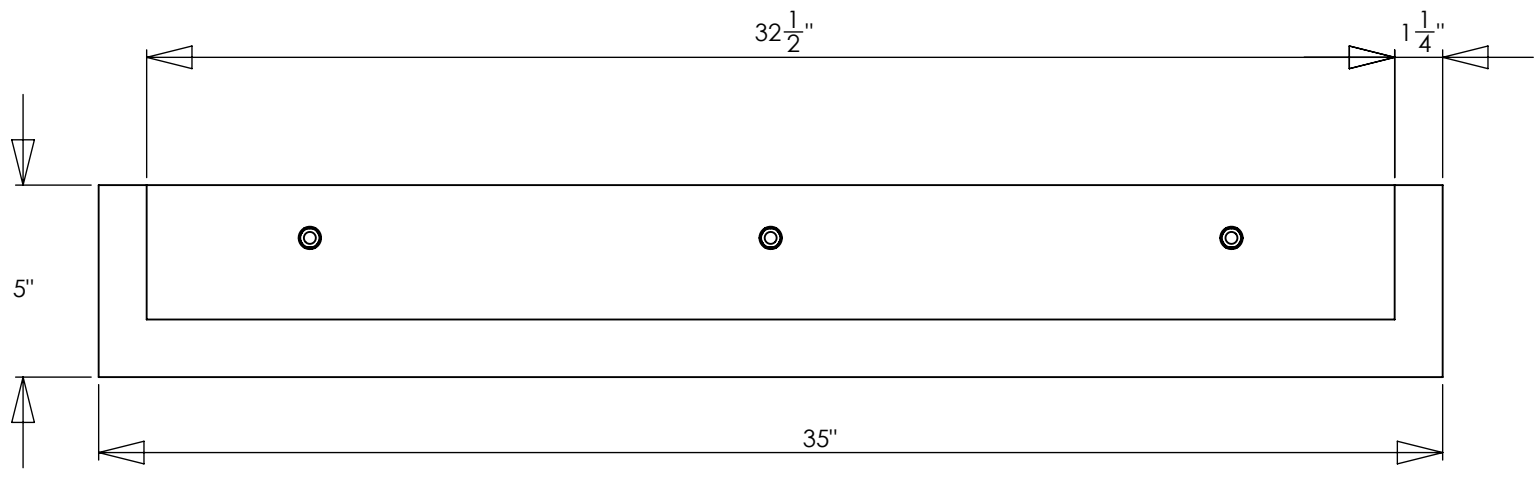


8 7 6 5 4 3 2 1

D



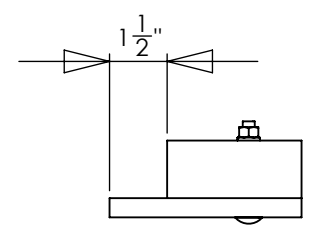
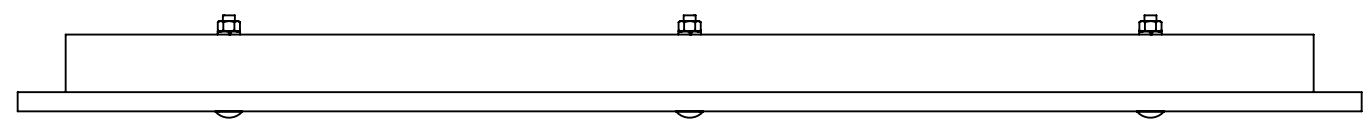
D

C

C

B


B



A

A

PROPRIETARY AND CONFIDENTIAL
 THE INFORMATION CONTAINED IN THIS DRAWING IS THE SOLE PROPERTY OF National Horseshoe Pitcher's Association. ANY REPRODUCTION IN PART OR AS A WHOLE WITHOUT THE WRITTEN PERMISSION OF National Horseshoe Pitcher's Association IS PROHIBITED.

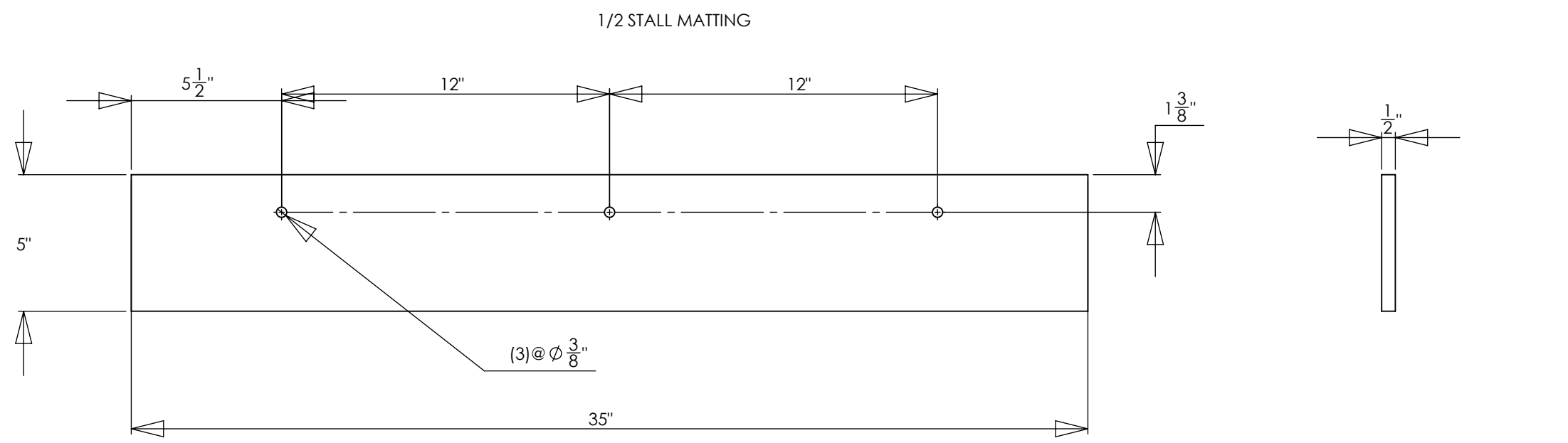
		UNLESS OTHERWISE SPECIFIED:		NAME	DATE	 NATIONAL HORSESHOE PITCHER'S ASSOCIATION TITLE: <h1>FRONT BUMPER BOARD</h1>
		DIMENSIONS ARE IN INCHES	DRAWN	CAR	6/24/08	
		TOLERANCES: FRACTIONAL ± ANGULAR: MACH ± BEND ± TWO PLACE DECIMAL ± THREE PLACE DECIMAL ±	CHECKED			
		INTERPRET GEOMETRIC TOLERANCING PER:	ENG APPR.			
		MATERIAL SEE PART LIST	MFG APPR.			
		FINISH	Q.A.			SIZE DWG. NO. REV
NEXT ASSY	USED ON		COMMENTS:			B FBB
APPLICATION		DO NOT SCALE DRAWING				SCALE: 1:5 WEIGHT: SHEET 1 OF 3

8 7 6 5 4 3 2 1

8 7 6 5 4 3 2 1

D

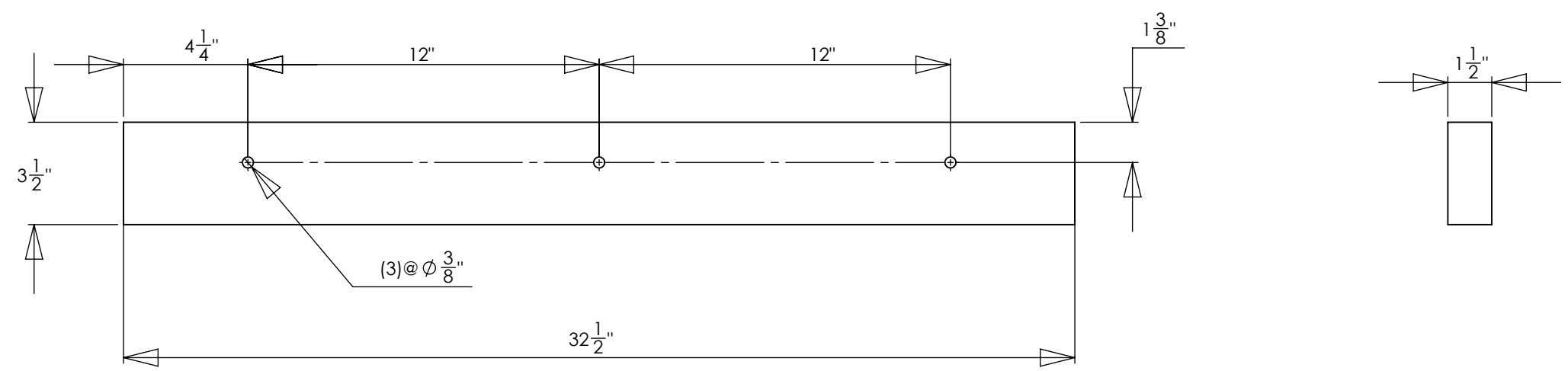
D



C

C

STANDARD 2X4 LUMBER




B

B

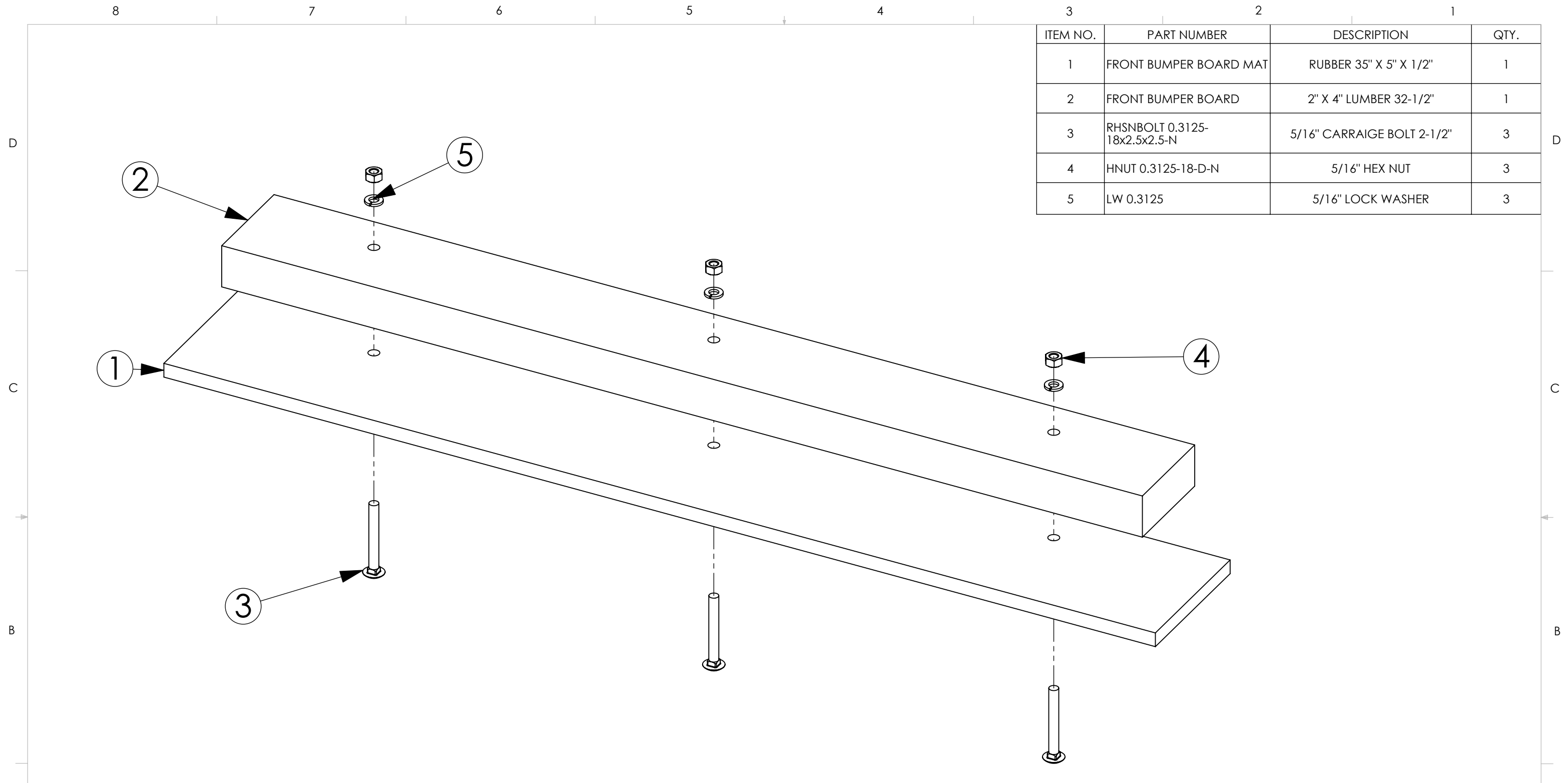
A

A

PROPRIETARY AND CONFIDENTIAL
 THE INFORMATION CONTAINED IN THIS DRAWING IS THE SOLE PROPERTY OF National Horseshoe Pitcher's Association. ANY REPRODUCTION IN PART OR AS A WHOLE WITHOUT THE WRITTEN PERMISSION OF National Horseshoe Pitcher's Association IS PROHIBITED.


		UNLESS OTHERWISE SPECIFIED:		NAME	DATE	 NATIONAL HORSESHOE PITCHER'S ASSOCIATION TITLE: <h1>FRONT BUMPER BOARD DETAILS</h1> SIZE DWG. NO. REV B FBBB	
		DIMENSIONS ARE IN INCHES TOLERANCES: FRACTIONAL ± ANGULAR: MACH ± BEND ± TWO PLACE DECIMAL ± THREE PLACE DECIMAL ±		DRAWN	CAR		6/24/08
		INTERPRET GEOMETRIC TOLERANCING PER:		CHECKED			
		MATERIAL SEE PART LIST		ENG APPR.			
		FINISH		MFG APPR.			
NEXT ASSY	USED ON			Q.A.			
APPLICATION		DO NOT SCALE DRAWING		COMMENTS:			
				SCALE: 1:5		WEIGHT:	
						SHEET 2 OF 3	

8 7 6 5 4 3 2 1



ITEM NO.	PART NUMBER	DESCRIPTION	QTY.
1	FRONT BUMPER BOARD MAT	RUBBER 35" X 5" X 1/2"	1
2	FRONT BUMPER BOARD	2" X 4" LUMBER 32-1/2"	1
3	RHSNBOLT 0.3125-18x2.5x2.5-N	5/16" CARRAIGE BOLT 2-1/2"	3
4	HNUT 0.3125-18-D-N	5/16" HEX NUT	3
5	LW 0.3125	5/16" LOCK WASHER	3

PROPRIETARY AND CONFIDENTIAL
 THE INFORMATION CONTAINED IN THIS DRAWING IS THE SOLE PROPERTY OF National Horseshoe Pitcher's Association. ANY REPRODUCTION IN PART OR AS A WHOLE WITHOUT THE WRITTEN PERMISSION OF National Horseshoe Pitcher's Association IS PROHIBITED.

		UNLESS OTHERWISE SPECIFIED:		NAME	DATE	 NATIONAL HORSESHOE PITCHER'S ASSOCIATION TITLE: FRONT BUMPER BOARD PARTS SIZE B DWG. NO. FBBP REV SCALE: 1:3 WEIGHT: SHEET 3 OF 3
		DIMENSIONS ARE IN INCHES	DRAWN	CAR	6/24/08	
		TOLERANCES:	CHECKED			
		FRACTIONAL ±	ENG APPR.			
		ANGULAR: MACH ± BEND ±	MFG APPR.			
		TWO PLACE DECIMAL ±	Q.A.			
		THREE PLACE DECIMAL ±	COMMENTS:			
		INTERPRET GEOMETRIC TOLERANCING PER:				
		MATERIAL				
		SEE PART LIST				
		FINISH				
NEXT ASSY	USED ON					
APPLICATION		DO NOT SCALE DRAWING				